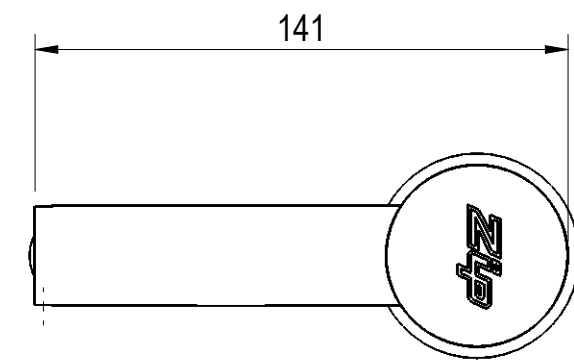
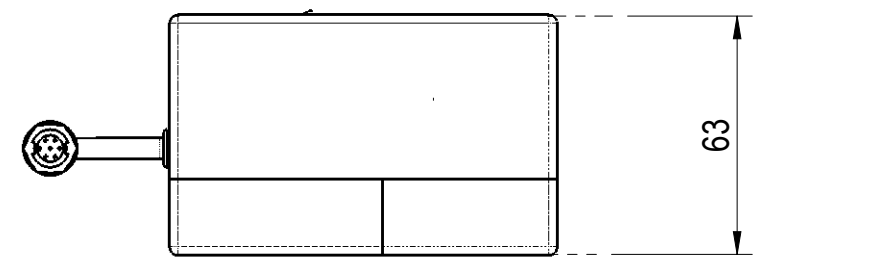
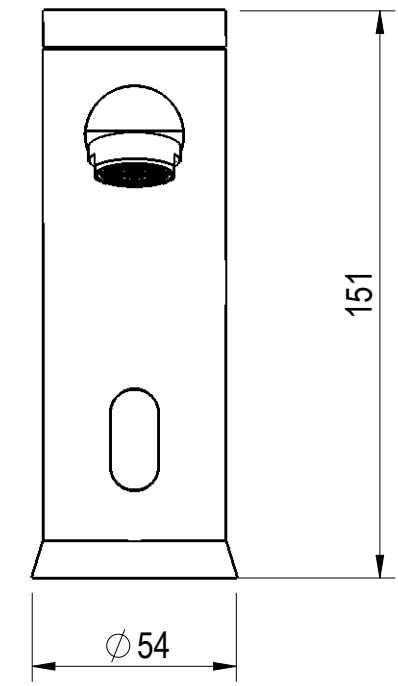
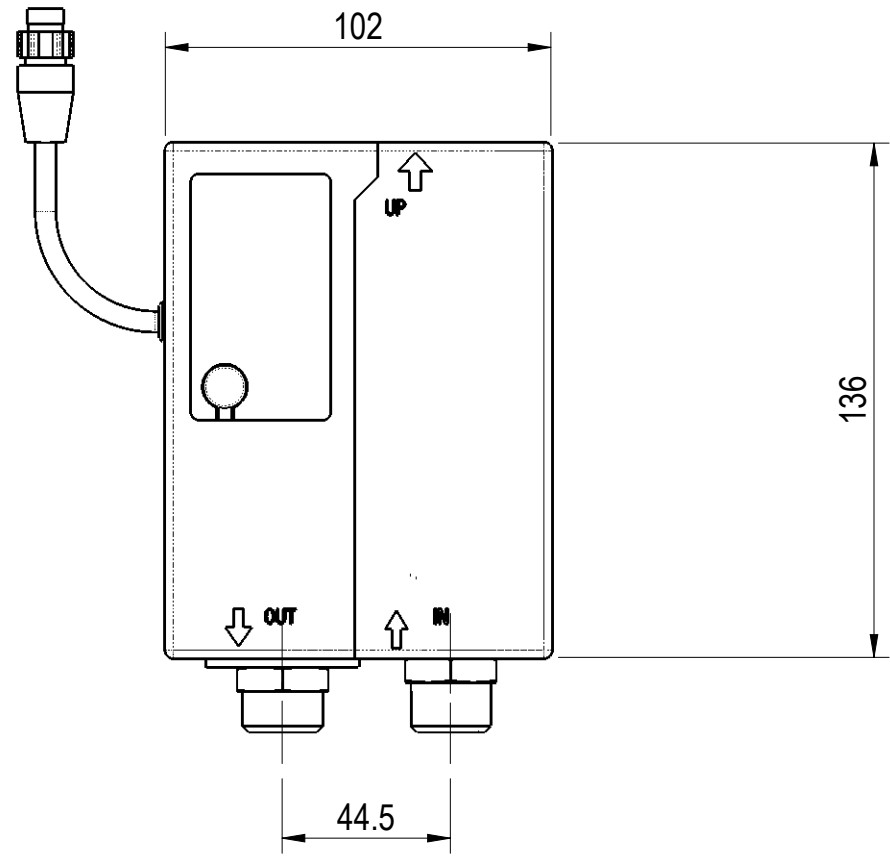


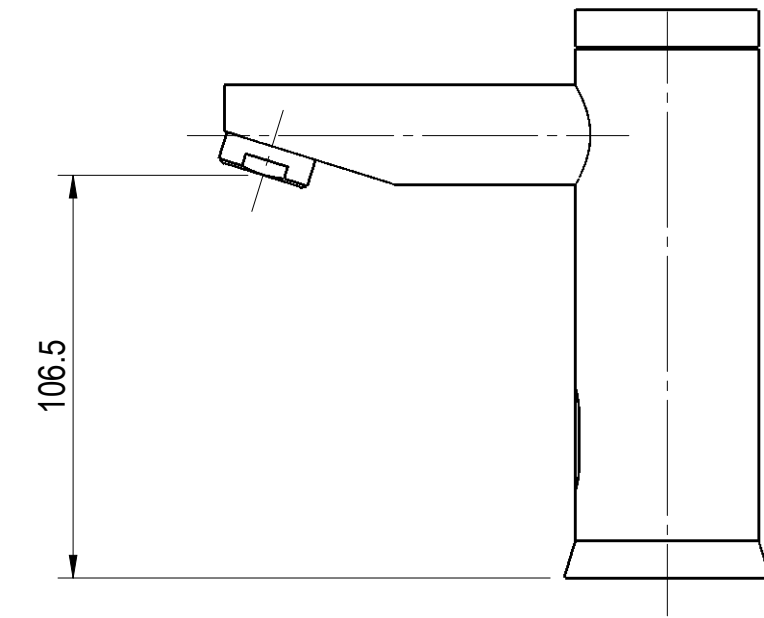
<p>THIRD ANGLE PROJECTION</p>	Dimensions in millimetres	Zip Industries Pty Ltd 67 Allingham Street Condell Park Sydney NSW 2200 Australia Web : www.zipindustries.com Email : sales@zipindustries.com
	Drawing to BS8888:2004	
	Screw threads to BS 8498:2008	



TOP VIEW
SCALE 1 : 2

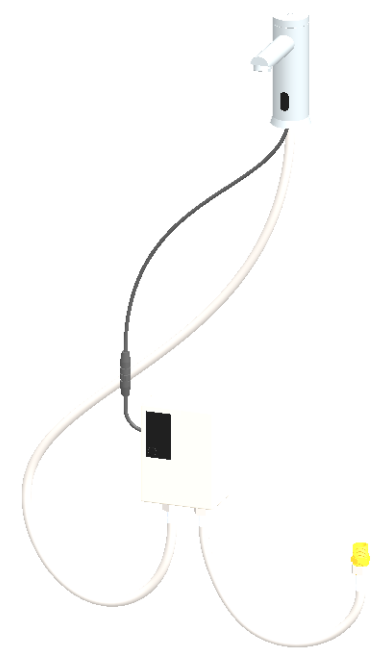


FRONT VIEW
SCALE 1 : 2



SIDE VIEW
SCALE 1 : 2

SCALE 1 : 2



Isometric View (1:1)
Configuration : Default

This drawing is CONFIDENTIAL and is supplied on the express condition that it shall not be LOANED, COPIED or DISCLOSED to any other third party or used for any purpose without the written consent of Zip Industries Pty Ltd. If this document is printed in hardcopy form, it is for INFORMATION ONLY and therefore not subject to updating controls. For the current revision ALWAYS refer to the NATIVE electronic form as stated in the top left-hand corner of this sheet. © copyright Zip Industries Pty Ltd, 25/03/2013

Zip Industries

Manufacturing Instructions		Approved by : Unapproved on 1/01/2001	Description : Zip Sensor Tap - Battery Powered (DC)	
Make or Buy : Make	Checked by : Unchecked on 1/01/2001			
Manufacturing Route : See Components	Updated by : edgarg on 25/03/2013 4:08:11 PM			
Raw material : See Components	Material : See Components	Project : Washroom Products - Sensor Taps	Configuration : Default	
Remove all sharp edges. This drawing ONLY details information which cannot be ascertained from the 3D geometry of the part(s) attached. Model & dimensions are AFTER all finishing operations		Model : 42221	Created by & on : EdgarG on 21/08/2012	
Comments :		Finish : Finish	Drawing : 42221	Created by & on : EdgarG on 25/03/2013
Potable? : No	Recyclable? : No	Handed? : No	Derived from : New	Rev : A
Volume (cm ³) : 956.3	Area (cm ²) : 3067.9	Mass (g) : 3936.7	Density (g/cm ³) : 4.1	Size : A3
Scale : 1:1		Sheet : 1 of 1	Colour : Colour	Status : Production
_Drawing Property		_Part Property		